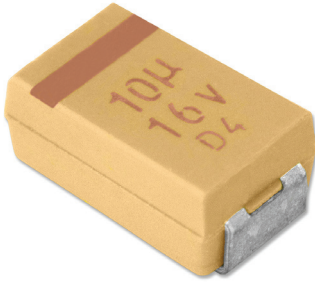


General Purpose Tantalum Capacitors (TCM Series)



Features:

- RoHS Compliant and Halogen Free
- Excellent frequency characteristics and impedance
- Laser marking for easy identification
- Voltage range: 4V to 50V
- Operating Temperature: -55°C to + 125°C
- Capacitance range: 0.1uF to 1000uF
- Molded case sizes: A (3216), B (3528), C (6032), D (7343), and E (7343H)

Part Number Structure

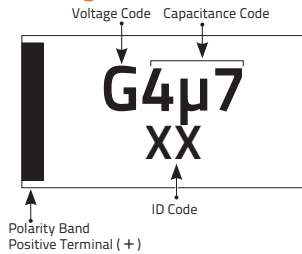
TA	016	TCM	106	K	C	R	□
Tantalum Capacitor	Rated Voltage	Series	Capacitance (pico - Farads)	Tolerance	Case Code	Packaging	Optional Reel Identifier
	004 = 4.0V 006 = 6.3V 010 = 10V 016 = 16V 020 = 20V 025 = 25V 035 = 35V 050 = 50V	TCM	1st two figures are significant. Third is the number of zeros to follow. 105 = 1.0uF 226 = 22uF 107 = 100uF	K = ±10% M = ±20%	A B C D E	R = Tape & Reel (Positive Polarity Band (+) is away from sprocket holes and is industry standard)	Leave blank for standard 7 inch reels. For 13 inch reels add "-13".

Example P/N: TA016TCM106KCR

Standard termination finish is 100% matte Tin (Sn) over Nickel

Marking Code

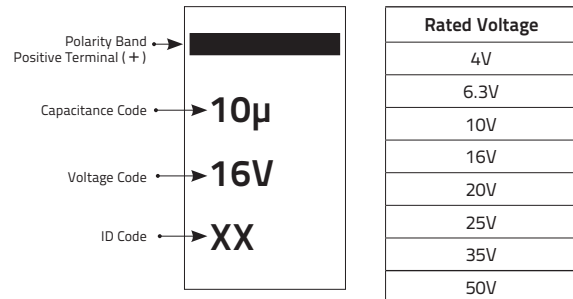
Voltage Code (A & B Case)



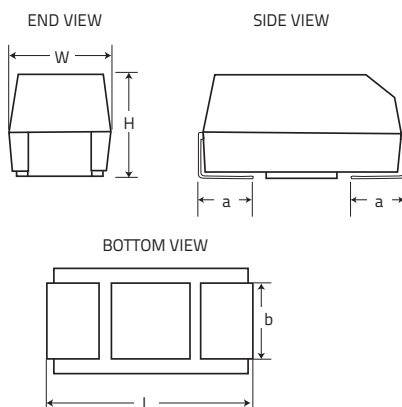
Note: For values less than 10uF, marking codes will contain the μ symbol to indicate a decimal. (Example: 4μ7 = 4.7uF)
For values 10uF and greater, marking codes will be marked with the standard EIA code.

Voltage Code	Rated Voltage
e	2.5V
G	4V
J	6.3V
A	10V
C	16V
D	20V
E	25V
V	35V

Voltage Code (C, D, E Case)



Dimensions



Case Code	Unit: mm (inch)				
	L	W	H	a	b
A	3.2 ± 0.2 (0.126 ± 0.008)	1.6 ± 0.2 (0.063 ± 0.008)	1.6 ± 0.2 (0.063 ± 0.008)	0.8 ± 0.3 (0.031 ± 0.012)	1.2 ± 0.2 (0.047 ± 0.008)
B	3.5 ± 0.2 (0.138 ± 0.008)	2.8 ± 0.2 (0.110 ± 0.008)	1.9 ± 0.2 (0.075 ± 0.008)	0.8 ± 0.3 (0.031 ± 0.012)	2.2 ± 0.2 (0.087 ± 0.008)
C	6.0 ± 0.3 (0.236 ± 0.012)	3.2 ± 0.3 (0.126 ± 0.012)	2.5 ± 0.3 (0.098 ± 0.012)	1.3 ± 0.3 (0.051 ± 0.012)	2.2 ± 0.2 (0.087 ± 0.008)
D	7.3 ± 0.3 (0.287 ± 0.012)	4.3 ± 0.3 (0.169 ± 0.012)	2.8 ± 0.3 (0.110 ± 0.012)	1.3 ± 0.3 (0.051 ± 0.012)	2.4 ± 0.2 (0.094 ± 0.008)
E	7.3 ± 0.3 (0.287 ± 0.012)	4.3 ± 0.3 (0.169 ± 0.012)	4.0 ± 0.3 (0.157 ± 0.012)	1.3 ± 0.3 (0.051 ± 0.012)	2.4 ± 0.2 (0.094 ± 0.008)

General Purpose Tantalum Capacitors (TCM Series)

Standard Rating and Case Codes

Rated Voltage ►	4V	6.3V	10V	16V	20V	25V	35V	50V
Capacitance (uF) ▼								
0.1							A	A
0.15							A	A,B
0.22							A	A,B
0.33							A	A,B
0.47						A	A,B	A,B,C
0.68						A	A,B	A,B,C
1				A	A	A	A,B	A,B,C
1.5			A	A	A	A,B	A,B,C	B,C,D
2.2		A	A	A	A,B	A, B	A,B,C	B,C,D
3.3		A	A	A,B	A,B	A,B,C	B,C	C,D
4.7		A	A,B	A,B	A,B,C	A,B,C	B,C,D	C,D
6.8			A,B	A,B	A,B,C	B,C	C,D	C,D
10		A,B	A,B,C	A, B,C	B,C	B,C,D	C,D,E	D,E
15		A	A,B,C	*A,B,C	B,C	C,D	C,D	D,E
22		A,B,C	A,B,C	B,C,D	B,C,D	C,D	D,E	
33	A	A,B	A,B,C,D	B,C,D	C,D	D,E	D,E	
47	A	A,B,C	B,C,D	C,D	C,D,E	D,E	E	
68	A,B	B,C,D	B,C,D	C,D	*C,D,E	E		
100	A,B	B,C,D	*B,C,D	C,D,E	D,E	*E		
150	B,C	*B, C,D	C,D,E	D,E	E			
220	B,C,D	C,D,E	C,D,E	E				
330	C,D	C,D,E	D,E	*E				
470	C,D,E	D,E	E					
680	D,E	E						
1000	D,E	*E						

*Only Available in 20% (M) Tolerance

Electrical Specifications and Part Numbers

Rated Voltage	Capacitance (uF)	Case Code	Max. DCL @ +25°C (uA)	Max. DF @ +25°C 120 Hz (%)	Max. ESR 100 kHz (□)	Venkel Part Number
4.0V	33	A	1.3	6	3	TA004TCM336 K or M AR
4.0V	47	A	1.9	8	2.6	TA004TCM476 K or M AR
4.0V	68	A	2.7	10	1.5	TA004TCM686 K or M AR
4.0V	68	B	2.7	6	1.8	TA004TCM686 K or M BR
4.0V	100	A	4	30	1.4	TA004TCM107 K or M AR
4.0V	100	B	4	8	0.9	TA004TCM107 K or M BR
4.0V	150	B	6	10	1.5	TA004TCM157 K or M BR
4.0V	150	C	6	6	0.3	TA004TCM157 K or M CR
4.0V	220	B	8.8	12	1.1	TA004TCM227MBR
4.0V	220	C	8.8	8	1.2	TA004TCM227 K or M CR
4.0V	220	D	8.8	8	0.9	TA004TCM227 K or M DR
4.0V	330	C	13.2	8	0.3	TA004TCM337 K or M CR
4.0V	330	D	13.2	8	0.9	TA004TCM337 K or M DR
4.0V	470	C	18.8	14	0.3	TA004TCM477 K or M CR
4.0V	470	D	18.8	12	0.9	TA004TCM477 K or M DR
4.0V	470	E	18.8	10	0.5	TA004TCM477 K or M ER
4.0V	680	D	27.2	14	0.5	TA004TCM687 K or M DR
4.0V	680	E	27.2	14	0.9	TA004TCM687 K or M ER
4.0V	1000	D	40	60	0.2	TA004TCM108 K or M DR
4.0V	1000	E	40	14	0.4	TA004TCM108 K or M ER

General Purpose Tantalum Capacitors (TCM Series)

Electrical Specifications and Part Numbers

Rated Voltage	Capacitance (uF)	Case Code	Max. DCL @ +25°C (uA)	Max. DF @ +25°C 120 Hz (%)	Max. ESR 100 kHz (Ω)	Venkel Part Number
6.3V	2.2	A	0.5	6	9	TA006TCM225 K or M AR
6.3V	3.3	A	0.5	6	7	TA006TCM335 K or M AR
6.3V	4.7	A	0.5	6	6	TA006TCM475 K or M AR
6.3V	10	A	0.6	6	4	TA006TCM106 K or M AR
6.3V	10	B	0.6	6	3.1	TA006TCM106 K or M BR
6.3V	15	A	0.9	6	3.5	TA006TCM156 K or M AR
6.3V	22	A	1.4	6	3	TA006TCM226 K or M AR
6.3V	22	B	1.4	6	2.5	TA006TCM226 K or M BR
6.3V	22	C	1.4	6	2	TA006TCM226 K or M CR
6.3V	33	A	2.1	8	2.2	TA006TCM336 K or M AR
6.3V	33	B	2.1	6	2.2	TA006TCM336 K or M BR
6.3V	47	A	2.8	10	1.6	TA006TCM476 K or M AR
6.3V	47	B	3	6	2	TA006TCM476 K or M BR
6.3V	47	C	3	6	1.6	TA006TCM476 K or M CR
6.3V	68	B	4	8	0.9	TA006TCM686 K or M BR
6.3V	68	C	4.3	6	1.5	TA006TCM686 K or M CR
6.3V	68	D	4.3	6	0.9	TA006TCM686 K or M DR
6.3V	100	B	6.3	10	1.7	TA006TCM107 K or M BR
6.3V	100	C	6.3	6	0.9	TA006TCM107 K or M CR
6.3V	100	D	6.3	6	0.9	TA006TCM107 K or M DR
6.3V	150	B	9.5	10	1.2	TA006TCM157MBR
6.3V	150	C	9.5	6	1.3	TA006TCM157 K or M CR
6.3V	150	D	9.5	6	0.9	TA006TCM157 K or M DR
6.3V	220	C	13.9	8	1.2	TA006TCM227 K or M CR
6.3V	220	D	13.9	8	0.4	TA006TCM227 K or M DR
6.3V	220	E	13.9	8	0.4	TA006TCM227 K or M ER
6.3V	330	C	19.8	12	0.5	TA006TCM337 K or M CR
6.3V	330	D	20.8	8	0.4	TA006TCM337 K or M DR
6.3V	330	E	20.8	8	0.4	TA006TCM337 K or M ER
6.3V	470	D	28	12	0.4	TA006TCM477 K or M DR
6.3V	470	E	28	10	0.4	TA006TCM477 K or M ER
6.3V	680	E	42.8	10	0.5	TA006TCM687 K or M ER
6.3V	1000	E	60	20	0.2	TA006TCM108MER
10V	1.5	A	0.5	6	10	TA010TCM155 K or M AR
10V	2.2	A	0.5	6	7	TA010TCM225 K or M AR
10V	3.3	A	0.5	6	5.5	TA010TCM335 K or M AR
10V	4.7	A	0.5	6	5	TA010TCM475 K or M AR
10V	4.7	B	0.5	6	4	TA010TCM475 K or M BR
10V	6.8	A	0.7	6	4	TA010TCM685 K or M AR
10V	6.8	B	0.7	6	3	TA010TCM685 K or M BR

General Purpose Tantalum Capacitors (TCM Series)

Electrical Specifications and Part Numbers

Rated Voltage	Capacitance (uF)	Case Code	Max. DCL @ +25°C (uA)	Max. DF @ +25°C 120 Hz (%)	Max. ESR 100 kHz (Ω)	Venkel Part Number
10V	10	A	1	6	3	TA010TCM106 K or M AR
10V	10	B	1	6	2.1	TA010TCM106 K or M BR
10V	10	C	1	6	2.5	TA010TCM106 K or M CR
10V	15	A	1.5	6	3.2	TA010TCM156 K or M AR
10V	15	B	1.5	6	2.8	TA010TCM156 K or M BR
10V	15	C	1.5	6	2	TA010TCM156 K or M CR
10V	22	A	2.2	8	3	TA010TCM226 K or M AR
10V	22	B	2.2	6	2.4	TA010TCM226 K or M BR
10V	22	C	2.2	6	1.8	TA010TCM226 K or M CR
10V	33	A	3.3	8	1.7	TA010TCM336 K or M AR
10V	33	B	3.3	6	1.8	TA010TCM336 K or M BR
10V	33	C	3.3	6	1.6	TA010TCM336 K or M CR
10V	33	D	3.3	6	1.1	TA010TCM336 K or M DR
10V	47	B	4.7	8	1	TA010TCM476 K or M BR
10V	47	C	4.7	6	1.2	TA010TCM476 K or M CR
10V	47	D	4.7	6	0.4	TA010TCM476 K or M DR
10V	68	B	6.8	6	1.4	TA010TCM686 K or M BR
10V	68	C	6.8	6	1.3	TA010TCM686 K or M CR
10V	68	D	6.8	6	0.9	TA010TCM686 K or M DR
10V	100	B	10	8	1.4	TA010TCM107MBR
10V	100	C	10	8	1.2	TA010TCM107 K or M CR
10V	100	D	10	6	0.9	TA010TCM107 K or M DR
10V	150	C	15	8	0.9	TA010TCM157 K or M CR
10V	150	D	15	8	0.9	TA010TCM157 K or M DR
10V	150	E	15	8	0.9	TA010TCM157 K or M ER
10V	220	C	22	16	0.5	TA010TCM227 K or M CR
10V	220	D	22	8	0.5	TA010TCM227 K or M DR
10V	220	E	22	8	0.5	TA010TCM227 K or M ER
10V	330	D	33	8	0.9	TA010TCM337 K or M DR
10V	330	E	33	8	0.9	TA010TCM337 K or M ER
10V	470	E	47	10	0.5	TA010TCM477 K or M ER
16V	1	A	0.5	4	11	TA016TCM105 K or M AR
16V	1.5	A	0.5	6	8	TA016TCM155 K or M AR
16V	2.2	A	0.5	6	6.5	TA016TCM225 K or M AR
16V	3.3	A	0.5	6	5	TA016TCM335 K or M AR
16V	3.3	B	0.5	6	4.5	TA016TCM335 K or M BR
16V	4.7	A	0.8	6	4	TA016TCM475 K or M AR
16V	4.7	B	0.8	6	3.5	TA016TCM475 K or M BR
16V	6.8	A	1.1	6	3.5	TA016TCM685 K or M AR
16V	6.8	B	1.1	6	2.5	TA016TCM685 K or M BR
16V	10	A	1.6	6	3	TA016TCM106 K or M AR
16V	10	B	1.6	6	2.8	TA016TCM106 K or M BR
16V	10	C	1.6	6	2	TA016TCM106 K or M CR
16V	15	A	2.4	6	2	TA016TCM156MAR
16V	15	B	2.4	6	2.5	TA016TCM156 K or M BR
16V	15	C	2.4	6	1.8	TA016TCM156 K or M CR

General Purpose Tantalum Capacitors (TCM Series)

Electrical Specifications and Part Numbers

Rated Voltage	Capacitance (uF)	Case Code	Max. DCL @ +25°C (uA)	Max. DF @ +25°C 120 Hz (%)	Max. ESR 100 kHz (Ω)	Venkel Part Number
16V	22	B	3.5	6	2.3	TA016TCM226 K or M BR
16V	22	C	3.5	6	1	TA016TCM226 K or M CR
16V	22	D	3.5	6	1.1	TA016TCM226 K or M DR
16V	33	B	5.3	8	2.1	TA016TCM336 K or M BR
16V	33	C	5.3	6	1.5	TA016TCM336 K or M CR
16V	33	D	5.3	6	0.9	TA016TCM336 K or M DR
16V	47	C	7.5	6	0.5	TA016TCM476 K or M CR
16V	47	D	7.5	6	0.9	TA016TCM476 K or M DR
16V	68	C	10.9	6	1.3	TA016TCM686 K or M CR
16V	68	D	10.9	6	0.9	TA016TCM686 K or M DR
16V	100	C	16	8	1	TA016TCM107 K or M CR
16V	100	D	16	6	0.6	TA016TCM107 K or M DR
16V	100	E	16	6	0.9	TA016TCM107 K or M ER
16V	150	D	24	6	0.9	TA016TCM157 K or M DR
16V	150	E	23	8	0.3	TA016TCM157 K or M ER
16V	220	E	35.2	10	0.5	TA016TCM227 K or M ER
16V	330	E	52.8	30	0.4	TA016TCM337MER
20V	1	A	0.5	4	9	TA020TCM105 K or M AR
20V	1.5	A	0.5	6	6.5	TA020TCM155 K or M AR
20V	2.2	A	0.5	6	5.3	TA020TCM225 K or M AR
20V	2.2	B	0.5	6	3.5	TA020TCM225 K or M BR
20V	3.3	A	0.7	6	4.5	TA020TCM335 K or M AR
20V	3.3	B	0.7	6	3	TA020TCM335 K or M BR
20V	4.7	A	0.9	6	4	TA020TCM475 K or M AR
20V	4.7	B	0.9	6	3	TA020TCM475 K or M BR
20V	4.7	C	0.9	6	2.8	TA020TCM475 K or M CR
20V	6.8	A	1.4	6	2.4	TA020TCM685 K or M AR
20V	6.8	B	1.4	6	2.5	TA020TCM685 K or M BR
20V	6.8	C	1.4	6	2	TA020TCM685 K or M CR
20V	10	B	2	6	2.1	TA020TCM106 K or M BR
20V	10	C	2	6	1.2	TA020TCM106 K or M CR
20V	15	B	3	6	2	TA020TCM156 K or M BR
20V	15	C	3	6	1.7	TA020TCM156 K or M CR
20V	22	B	4.4	6	1.8	TA020TCM226 K or M BR
20V	22	C	4.4	6	1.6	TA020TCM226 K or M CR
20V	22	D	4.4	6	0.9	TA020TCM226 K or M DR
20V	33	C	6.6	6	1.5	TA020TCM336 K or M CR
20V	33	D	6.6	6	0.9	TA020TCM336 K or M DR
20V	47	C	9.4	6	0.5	TA020TCM476 K or M CR
20V	47	D	9.4	6	0.9	TA020TCM476 K or M DR
20V	47	E	9.4	6	0.9	TA020TCM476 K or M ER
20V	68	C	13.6	8	0.5	TA020TCM686MCR
20V	68	D	13.6	6	0.4	TA020TCM686 K or M DR
20V	68	E	13.6	6	0.9	TA020TCM686 K or M ER
20V	100	D	20	6	0.5	TA020TCM107 K or M DR
20V	100	E	20	6	0.4	TA020TCM107 K or M ER
20V	150	E	30	8	0.3	TA020TCM157 K or M ER

General Purpose Tantalum Capacitors (TCM Series)

Electrical Specifications and Part Numbers

Rated Voltage	Capacitance (uF)	Case Code	Max. DCL @ +25°C (uA)	Max. DF @ +25°C 120 Hz (%)	Max. ESR 100 kHz (Ω)	Venkel Part Number
25V	0.47	A	0.5	4	14	TA025TCM474 K or M AR
25V	0.68	A	0.5	4	10	TA025TCM684 K or M AR
25V	1	A	0.5	4	8	TA025TCM105 K or M AR
25V	1.5	A	0.5	6	7.5	TA025TCM155 K or M AR
25V	1.5	B	0.5	6	5	TA025TCM155 K or M BR
25V	2.2	A	0.6	6	7	TA025TCM225 K or M AR
25V	2.2	B	0.6	6	4.5	TA025TCM225 K or M BR
25V	3.3	A	0.8	6	3.7	TA025TCM335 K or M AR
25V	3.3	B	0.8	6	3.5	TA025TCM335 K or M BR
25V	3.3	C	0.6	8	2.8	TA025TCM335 K or M CR
25V	4.7	A	1.2	6	3.1	TA025TCM475 K or M AR
25V	4.7	B	1.2	6	1.5	TA025TCM475 K or M BR
25V	4.7	C	1.2	6	2.4	TA025TCM475 K or M CR
25V	6.8	B	1.7	6	2.8	TA025TCM685 K or M BR
25V	6.8	C	1.7	6	2	TA025TCM685 K or M CR
25V	10	B	2.5	6	2.5	TA025TCM106 K or M BR
25V	10	C	2.5	6	1.8	TA025TCM106 K or M CR
25V	10	D	2.5	6	1.2	TA025TCM106 K or M DR
25V	15	C	3.8	6	1.6	TA025TCM156 K or M CR
25V	15	D	3.8	6	1	TA025TCM156 K or M DR
25V	22	C	5.5	6	1.4	TA025TCM226 K or M CR
25V	22	D	5.5	6	0.9	TA025TCM226 K or M DR
25V	33	D	8.3	6	0.9	TA025TCM336 K or M DR
25V	33	E	8.3	6	0.9	TA025TCM336 K or M ER
25V	47	D	11.8	6	0.9	TA025TCM476 K or M DR
25V	47	E	11.8	6	0.9	TA025TCM476 K or M ER
25V	68	E	17	6	0.9	TA025TCM686 K or M ER
25V	100	E	25	10	0.3	TA025TCM107MER
35V	0.1	A	0.5	4	24	TA035TCM104 K or M AR
35V	0.15	A	0.5	4	21	TA035TCM154 K or M AR
35V	0.22	A	0.5	4	18	TA035TCM224 K or M AR
35V	0.33	A	0.5	4	15	TA035TCM334 K or M AR
35V	0.47	A	0.5	4	12	TA035TCM474 K or M AR
35V	0.47	B	0.5	4	10	TA035TCM474 K or M BR
35V	0.68	A	0.5	4	8	TA035TCM684 K or M AR
35V	0.68	B	0.5	4	8	TA035TCM684 K or M BR
35V	1	A	0.5	4	7.5	TA035TCM105 K or M AR
35V	1	B	0.5	4	6.5	TA035TCM105 K or M BR
35V	1.5	A	0.5	6	7.5	TA035TCM155 K or M AR
35V	1.5	B	0.5	6	5.2	TA035TCM155 K or M BR
35V	1.5	C	0.5	6	4.5	TA035TCM155 K or M CR
35V	2.2	A	0.8	6	4.5	TA035TCM225 K or M AR
35V	2.2	B	0.8	6	4.2	TA035TCM225 K or M BR
35V	2.2	C	0.8	6	3.5	TA035TCM225 K or M CR
35V	3.3	B	1.2	6	3.5	TA035TCM335 K or M DR
35V	3.3	C	1.2	6	2.5	TA035TCM335 K or M CR
35V	4.7	B	1.6	6	3.1	TA035TCM475 K or M BR

General Purpose Tantalum Capacitors (TCM Series)

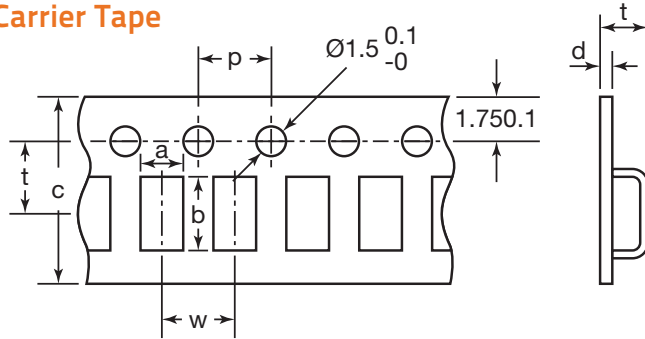
Electrical Specifications and Part Numbers

Rated Voltage	Capacitance (uF)	Case Code	Max. DCL @ +25°C (uA)	Max. DF @ +25°C 120 Hz (%)	Max. ESR 100 kHz (Ω)	Venkel Part Number
35V	4.7	C	1.6	6	2.2	TA035TCM475 K or M CR
35V	4.7	D	1.6	6	1.5	TA035TCM475 K or M DR
35V	6.8	C	2.4	6	1.8	TA035TCM685 K or M CR
35V	6.8	D	2.4	6	1.3	TA035TCM685 K or M DR
35V	10	C	3.5	6	1.6	TA035TCM106 K or M CR
35V	10	D	3.5	6	1	TA035TCM106 K or M DR
35V	10	E	3.5	6	0.9	TA035TCM106 K or M ER
35V	15	C	5.3	6	1.4	TA035TCM156 K or M CR
35V	15	D	5.3	6	0.9	TA035TCM156 K or M DR
35V	22	D	7.7	6	0.9	TA035TCM226 K or M DR
35V	22	E	7.7	6	0.5	TA035TCM226 K or M ER
35V	33	D	11.6	6	0.9	TA035TCM336 K or M DR
35V	33	E	11.6	6	0.9	TA035TCM336 K or M ER
35V	47	E	16.5	6	0.9	TA035TCM476 K or M ER
50V	0.1	A	0.5	4	22	TA050TCM104 K or M AR
50V	0.15	A	0.5	4	15	TA050TCM154 K or M AR
50V	0.15	B	0.5	4	17	TA050TCM154 K or M BR
50V	0.22	A	0.5	4	18	TA050TCM224 K or M AR
50V	0.22	B	0.5	4	14	TA050TCM224 K or M BR
50V	0.33	A	0.5	4	17	TA050TCM334 K or M AR
50V	0.33	B	0.5	4	12	TA050TCM334 K or M BR
50V	0.47	A	0.5	4	9.5	TA050TCM474 K or M AR
50V	0.47	B	0.7	4	9.5	TA050TCM474 K or M BR
50V	0.47	C	0.5	4	8	TA050TCM474 K or M CR
50V	0.68	A	0.5	4	7.9	TA050TCM684 K or M AR
50V	0.68	B	0.5	4	8	TA050TCM684 K or M BR
50V	0.68	C	0.5	4	7	TA050TCM684 K or M CR
50V	1	A	0.5	4	6.6	TA050TCM105 K or M AR
50V	1	B	0.5	6	7	TA050TCM105 K or M BR
50V	1	C	0.5	4	5.5	TA050TCM105 K or M CR
50V	1.5	B	0.8	8	5.4	TA050TCM155 K or M BR
50V	1.5	C	0.8	6	4.5	TA050TCM155 K or M CR
50V	1.5	D	0.8	6	4	TA050TCM155 K or M DR
50V	2.2	B	1.1	8	4.5	TA050TCM225 K or M BR
50V	2.2	C	1.1	8	2.5	TA050TCM225 K or M CR
50V	2.2	D	1.1	6	2.5	TA050TCM225 K or M DR
50V	3.3	C	1.6	6	2.5	TA050TCM335 K or M CR
50V	3.3	D	1.7	6	2	TA050TCM335 K or M DR
50V	4.7	C	0.5	4	1.4	TA050TCM475 K or M CR
50V	4.7	D	2.4	6	1.4	TA050TCM475 K or M DR
50V	6.8	C	3.4	6	1	TA050TCM685 K or M CR
50V	6.8	D	3.4	6	1	TA050TCM685 K or M DR
50V	10	D	5	6	0.8	TA050TCM106 K or M DR
50V	10	E	5	6	1	TA050TCM106 K or M ER
50V	15	D	7.5	6	0.6	TA050TCM156 K or M DR
50V	15	E	7.5	6	0.6	TA050TCM156 K or M ER

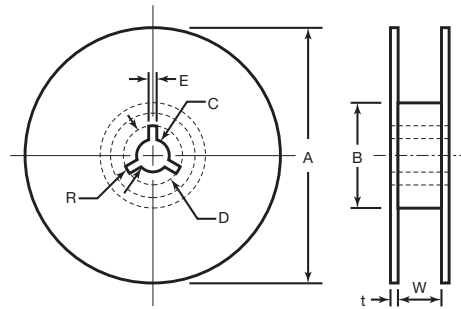
General Purpose Tantalum Capacitors (TCM Series)

Tape and Reel Specifications

Carrier Tape



Reel



Carrier Tape Dimensions

Unit: mm

Case Size	a ± 0.1	b ± 0.1	c ± 0.1	t ± 0.1	p ± 0.1	w ± 0.1	d ± 0.1
A	1.9	3.9	8.0	2.0	4.0	4.0	0.2
B	3.1	3.9	8.0	2.3	4.0	4.0	0.2
C	3.9	6.3	12.0	2.7	4.0	8.0	0.3
D	4.6	7.7	12.0	3.3	4.0	8.0	0.3
E	4.6	7.7	12.0	4.2	4.0	8.0	0.3

Reel Dimensions

Unit: mm

Case Size	A +0 -3.0	B -0	C ± 0.2	D ± 0.8	E ± 0.5	W ± 0.3	t ± 0.5	R
A, B	180	60	13.0	21.0	2.0	9.0	2.0	1.0
C, D, E	330	60	13.0	21.0	2.0	13.0	2.0	1.0

Quantity per reel

Case Size	Reel Size	
	7"	13"
A	2,000 pcs	9,000 pcs
B	2,000 pcs	8,000 pcs
C	500 pcs	3,000 pcs
D	500 pcs	2,500 pcs
E	400 pcs	2,000 pcs