

Shielded High Power Inductors (SHPI Series)



Features:

- RoHS Compliant and Halogen Free
- High Power Chip Inductor with excellent Current Ratings
- Magnetically shielded
- High Saturation Current
- Suitable for large current applications
- Operating Temperature Range: -40 to +125°C
- Inductance Range: 1.0uH to 1000uH

Part Number Structure

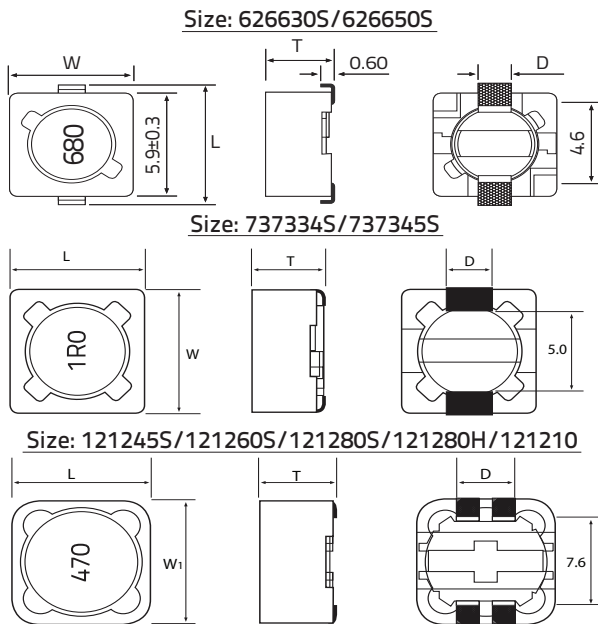
SHPI Series	737334 Size	S Type	- 330 Inductance Value	M Tolerance	U Packaging
626630	626650	S = Standard	R33 = 0.33μH	M = ±20%	U = 13" Reel
737334	737345	H = High Current	3R3 = 3.3μH		
121245	121260		330 = 33μH		
121280	121280H				
121280H	121210				
121210					

Example P/N: SHPI737334S-330MU

Termination is 100% Matte Tin over Nickel.

Dimensions

Unit: mm



Size	L	W	T (max)	D
626630	6.2 ±0.3	6.6 ±0.3	3.0	1.5
626650	6.2 ±0.3	6.6 ±0.3	5.0	1.5
737334	7.3 ±0.2	7.3 ±0.2	3.4	1.5
737345	7.3 ±0.2	7.3 ±0.2	4.5	1.5
121245	12.0 ±0.3	12.0 ±0.3	4.5	5.0
121260	12.0 ±0.3	12.0 ±0.3	6.0	5.0
121280	12.0 ±0.3	12.0 ±0.3	8.0	5.0
121280H	12.0 ±0.3	12.0 ±0.3	8.0	5.0
121210	12.0 ±0.3	12.0 ±0.3	10.0	5.0

Marking Code Examples

Marking Code	Value (uH)	Marking Code	Value (uH)
1R0	1.0	5R6	5.6
1R5	1.5	6R8	6.8
2R2	2.2	100	10
3R3	3.3	220	22
4R7	4.7	101	100

Shielded High Power Inductors (SHPI Series)

Electrical Specifications and Range

Size: 626630S

Inductance (uH)	Inductance Code	Test Condition	DC Resistance (Ω)	Max Current Rating (A)	Tolerance	Part Number
1.5	1R5	100KHz, 0.25V	0.049	3.5	20%	SHPI626630S-1R5MU
2.9	2R9	100KHz, 0.25V	0.07	1.94	20%	SHPI626630S-2R9MU
3.3	3R3	100KHz, 0.25V	0.075	1.8	20%	SHPI626630S-3R3MU
4	4R0	100KHz, 0.25V	0.08	1.63	20%	SHPI626630S-4R0MU
4.7	4R7	100KHz, 0.25V	0.09	1.55	20%	SHPI626630S-4R7MU
5.5	5R5	100KHz, 0.25V	0.1	1.4	20%	SHPI626630S-5R5MU
6.8	6R8	100KHz, 0.25V	0.1	1.3	20%	SHPI626630S-6R8MU
10	100	1KHz, 0.25V	0.15	1.1	20%	SHPI626630S-100MU
12	120	1KHz, 0.25V	0.2	1	20%	SHPI626630S-120MU
15	150	1KHz, 0.25V	0.23	0.9	20%	SHPI626630S-150MU
18	180	1KHz, 0.25V	0.27	0.8	20%	SHPI626630S-180MU
22	220	1KHz, 0.25V	0.34	0.74	20%	SHPI626630S-220MU
27	270	1KHz, 0.25V	0.38	0.66	20%	SHPI626630S-270MU
33	330	1KHz, 0.25V	0.45	0.59	20%	SHPI626630S-330MU
39	390	1KHz, 0.25V	0.49	0.54	20%	SHPI626630S-390MU
47	470	1KHz, 0.25V	0.69	0.5	20%	SHPI626630S-470MU
56	560	1KHz, 0.25V	0.78	0.46	20%	SHPI626630S-560MU
68	680	1KHz, 0.25V	1.07	0.42	20%	SHPI626630S-680MU
82	820	1KHz, 0.25V	1.21	0.38	20%	SHPI626630S-820MU
100	101	1KHz, 0.25V	1.39	0.34	20%	SHPI626630S-101MU
120	121	1KHz, 0.25V	1.9	0.31	20%	SHPI626630S-121MU
150	151	1KHz, 0.25V	2.18	0.28	20%	SHPI626630S-151MU
180	181	1KHz, 0.25V	2.77	0.26	20%	SHPI626630S-181MU
220	221	1KHz, 0.25V	3.12	0.23	20%	SHPI626630S-221MU
270	271	1KHz, 0.25V	4.38	0.22	20%	SHPI626630S-271MU
330	331	1KHz, 0.25V	4.94	0.19	20%	SHPI626630S-331MU

Size: 626650S

Inductance (uH)	Inductance Code	Test Condition	DC Resistance (Ω)	Max Current Rating (A)	Tolerance	Part Number
10	100	1KHz, 0.25V	0.12	1.35	20%	SHPI626650S-100MU
12	120	1KHz, 0.25V	0.13	1.22	20%	SHPI626650S-120MU
15	150	1KHz, 0.25V	0.18	1.11	20%	SHPI626650S-150MU
18	180	1KHz, 0.25V	0.24	1.02	20%	SHPI626650S-180MU
22	220	1KHz, 0.25V	0.27	0.91	20%	SHPI626650S-220MU
27	270	1KHz, 0.25V	0.3	0.82	20%	SHPI626650S-270MU
33	330	1KHz, 0.25V	0.33	0.74	20%	SHPI626650S-330MU
39	390	1KHz, 0.25V	0.37	0.69	20%	SHPI626650S-390MU
47	470	1KHz, 0.25V	0.52	0.62	20%	SHPI626650S-470MU
56	560	1KHz, 0.25V	0.56	0.58	20%	SHPI626650S-560MU
68	680	1KHz, 0.25V	0.63	0.51	20%	SHPI626650S-680MU
82	820	1KHz, 0.25V	0.71	0.46	20%	SHPI626650S-820MU
100	101	1KHz, 0.25V	1.03	0.42	20%	SHPI626650S-101MU
120	121	1KHz, 0.25V	1.15	0.38	20%	SHPI626650S-121MU
150	151	1KHz, 0.25V	1.68	0.35	20%	SHPI626650S-151MU
180	181	1KHz, 0.25V	1.87	0.32	20%	SHPI626650S-181MU
220	221	1KHz, 0.25V	2.08	0.29	20%	SHPI626650S-221MU

Shielded High Power Inductors (SHPI Series)

Electrical Specifications and Range

Size: 626650 S (Cont.)

Inductance (uH)	Inductance Code	Test Condition	DC Resistance (Ω)	Max Current Rating (A)	Tolerance	Part Number
270	271	1KHz, 0.25V	2.37	0.26	20%	SHPI626650S-271MU
330	331	1KHz, 0.25V	2.67	0.23	20%	SHPI626650S-331MU
390	391	1KHz, 0.25V	2.94	0.22	20%	SHPI626650S-391MU
470	471	1KHz, 0.25V	3.93	0.2	20%	SHPI626650S-471MU
560	561	1KHz, 0.25V	5.43	0.18	20%	SHPI626650S-561MU
680	681	1KHz, 0.25V	7.32	0.17	20%	SHPI626650S-681MU
820	821	1KHz, 0.25V	8.24	0.15	20%	SHPI626650S-821MU
1000	102	1KHz, 0.25V	9.26	0.14	20%	SHPI626650S-102MU

Size: 737334S

Inductance (uH)	Inductance Code	Test Condition	DC Resistance (Ω)	Max Current Rating (A)	Tolerance	Part Number
1	1R0	1KHz, 0.25V	0.016	7.97	20%	SHPI737334S-1R0MU
1.5	1R5	1KHz, 0.25V	0.023	5.5	20%	SHPI737334S-1R5MU
2.2	2R2	1KHz, 0.25V	0.027	4.5	20%	SHPI737334S-2R2MU
3.3	3R3	1KHz, 0.25V	0.031	4	20%	SHPI737334S-3R3MU
3.9	3R9	1KHz, 0.25V	0.041	3.8	20%	SHPI737334S-3R9MU
4.7	4R7	1KHz, 0.25V	0.048	3.5	20%	SHPI737334S-4R7MU
5.6	5R6	1KHz, 0.25V	0.056	3	20%	SHPI737334S-5R6MU
6.8	6R8	1KHz, 0.25V	0.062	2	20%	SHPI737334S-6R8MU
10	100	1KHz, 0.25V	0.072	1.68	20%	SHPI737334S-100MU
12	120	1KHz, 0.25V	0.098	1.52	20%	SHPI737334S-120MU
15	150	1KHz, 0.25V	0.13	1.33	20%	SHPI737334S-150MU
18	180	1KHz, 0.25V	0.14	1.2	20%	SHPI737334S-180MU
22	220	1KHz, 0.25V	0.19	1.07	20%	SHPI737334S-220MU
27	270	1KHz, 0.25V	0.21	0.96	20%	SHPI737334S-270MU
33	330	1KHz, 0.25V	0.24	0.91	20%	SHPI737334S-330MU
39	390	1KHz, 0.25V	0.32	0.77	20%	SHPI737334S-390MU
47	470	1KHz, 0.25V	0.36	0.76	20%	SHPI737334S-470MU
56	560	1KHz, 0.25V	0.47	0.68	20%	SHPI737334S-560MU
68	680	1KHz, 0.25V	0.52	0.61	20%	SHPI737334S-680MU
82	820	1KHz, 0.25V	0.69	0.57	20%	SHPI737334S-820MU
100	101	1KHz, 0.25V	0.79	0.5	20%	SHPI737334S-101MU
120	121	1KHz, 0.25V	0.89	0.49	20%	SHPI737334S-121MU
150	151	1KHz, 0.25V	1.27	0.43	20%	SHPI737334S-151MU
180	181	1KHz, 0.25V	1.45	0.39	20%	SHPI737334S-181MU
220	221	1KHz, 0.25V	1.65	0.35	20%	SHPI737334S-221MU
270	271	1KHz, 0.25V	2.31	0.32	20%	SHPI737334S-271MU
330	331	1KHz, 0.25V	2.62	0.28	20%	SHPI737334S-331MU
390	391	1KHz, 0.25V	2.94	0.26	20%	SHPI737334S-391MU
470	471	1KHz, 0.25V	4.18	0.24	20%	SHPI737334S-471MU
560	561	1KHz, 0.25V	4.67	0.22	20%	SHPI737334S-561MU
680	681	1KHz, 0.25V	5.73	0.19	20%	SHPI737334S-681MU
820	821	1KHz, 0.25V	6.54	0.18	20%	SHPI737334S-821MU
1000	102	1KHz, 0.25V	9.44	0.16	20%	SHPI737334S-102MU

Shielded High Power Inductors (SHPI Series)

Electrical Specifications and Range

Size: 7373455

Inductance (uH)	Inductance Code	Test Condition	DC Resistance (Ω)	Max Current Rating (A)	Tolerance	Part Number
1	1R0	1KHz, 0.25V	0.02	8	20%	SHPI7373455-1R0MU
1.5	1R5	1KHz, 0.25V	0.018	7	20%	SHPI7373455-1R5MU
2.2	2R2	1KHz, 0.25V	0.028	6	20%	SHPI7373455-2R2MU
3.3	3R3	1KHz, 0.25V	0.032	4.8	20%	SHPI7373455-3R3MU
3.9	3R9	1KHz, 0.25V	0.035	4.4	20%	SHPI7373455-3R9MU
4.7	4R7	1KHz, 0.25V	0.038	4	20%	SHPI7373455-4R7MU
5.6	5R6	1KHz, 0.25V	0.04	3.5	20%	SHPI7373455-5R6MU
6.8	6R8	1KHz, 0.25V	0.045	3	20%	SHPI7373455-6R8MU
10	100	1KHz, 0.25V	0.049	1.84	20%	SHPI7373455-100MU
12	120	1KHz, 0.25V	0.058	1.71	20%	SHPI7373455-120MU
15	150	1KHz, 0.25V	0.081	1.47	20%	SHPI7373455-150MU
18	180	1KHz, 0.25V	0.091	1.31	20%	SHPI7373455-180MU
22	220	1KHz, 0.25V	0.11	1.23	20%	SHPI7373455-220MU
27	270	1KHz, 0.25V	0.15	1.12	20%	SHPI7373455-270MU
33	330	1KHz, 0.25V	0.17	0.96	20%	SHPI7373455-330MU
39	390	1KHz, 0.25V	0.23	0.91	20%	SHPI7373455-390MU
47	470	1KHz, 0.25V	0.26	0.88	20%	SHPI7373455-470MU
56	560	1KHz, 0.25V	0.35	0.75	20%	SHPI7373455-560MU
68	680	1KHz, 0.25V	0.38	0.69	20%	SHPI7373455-680MU
82	820	1KHz, 0.25V	0.43	0.61	20%	SHPI7373455-820MU
100	101	1KHz, 0.25V	0.61	0.6	20%	SHPI7373455-101MU
120	121	1KHz, 0.25V	0.66	0.52	20%	SHPI7373455-121MU
150	151	1KHz, 0.25V	0.88	0.46	20%	SHPI7373455-151MU
180	181	1KHz, 0.25V	0.98	0.42	20%	SHPI7373455-181MU
220	221	1KHz, 0.25V	1.17	0.36	20%	SHPI7373455-221MU
270	271	1KHz, 0.25V	1.64	0.34	20%	SHPI7373455-271MU
330	331	1KHz, 0.25V	1.86	0.32	20%	SHPI7373455-331MU
390	391	1KHz, 0.25V	2.85	0.29	20%	SHPI7373455-391MU
470	471	1KHz, 0.25V	3.01	0.26	20%	SHPI7373455-471MU
560	561	1KHz, 0.25V	3.62	0.23	20%	SHPI7373455-561MU
680	681	1KHz, 0.25V	4.63	0.22	20%	SHPI7373455-681MU
820	821	1KHz, 0.25V	5.2	0.2	20%	SHPI7373455-821MU
1000	102	1KHz, 0.25V	6	0.18	20%	SHPI7373455-102MU

Shielded High Power Inductors (SHPI Series)

Electrical Specifications and Range

Size: 121245S

Inductance (uH)	Inductance Code	Test Condition	DC Resistance (Ω)	Max Current Rating (A)	Tolerance	Part Number
1.5	1R5	1KHz, 0.25V	0.008	8.75	20%	SHPI121245S-1R5MU
2.5	2R5	1KHz, 0.25V	0.013	8	20%	SHPI121245S-2R5MU
3.3	3R3	1KHz, 0.25V	0.015	6.5	20%	SHPI121245S-3R3MU
3.9	3R9	1KHz, 0.25V	0.015	6.5	20%	SHPI121245S-3R9MU
4.7	4R7	1KHz, 0.25V	0.018	5.7	20%	SHPI121245S-4R7MU
6.8	6R8	1KHz, 0.25V	0.023	4.9	20%	SHPI121245S-6R8MU
8.2	8R2	1KHz, 0.25V	0.026	4.6	20%	SHPI121245S-8R2MU
10	100	1KHz, 0.25V	0.028	4.5	20%	SHPI121245S-100MU
12	120	1KHz, 0.25V	0.038	4	20%	SHPI121245S-120MU
15	150	1KHz, 0.25V	0.05	3.2	20%	SHPI121245S-150MU
18	180	1KHz, 0.25V	0.057	3.1	20%	SHPI121245S-180MU
22	220	1KHz, 0.25V	0.066	2.9	20%	SHPI121245S-220MU
27	270	1KHz, 0.25V	0.08	2.8	20%	SHPI121245S-270MU
33	330	1KHz, 0.25V	0.097	2.7	20%	SHPI121245S-330MU
39	390	1KHz, 0.25V	0.132	2.1	20%	SHPI121245S-390MU
47	470	1KHz, 0.25V	0.15	1.9	20%	SHPI121245S-470MU
56	560	1KHz, 0.25V	0.19	1.8	20%	SHPI121245S-560MU
68	680	1KHz, 0.25V	0.22	1.5	20%	SHPI121245S-680MU
82	820	1KHz, 0.25V	0.26	1.3	20%	SHPI121245S-820MU
100	101	1KHz, 0.25V	0.308	1.2	20%	SHPI121245S-101MU
120	121	1KHz, 0.25V	0.38	1.1	20%	SHPI121245S-121MU
150	151	1KHz, 0.25V	0.53	0.95	20%	SHPI121245S-151MU
180	181	1KHz, 0.25V	0.62	0.85	20%	SHPI121245S-181MU
220	221	1KHz, 0.25V	0.7	0.8	20%	SHPI121245S-221MU
270	271	1KHz, 0.25V	0.876	0.6	20%	SHPI121245S-271MU
330	331	1KHz, 0.25V	0.99	0.5	20%	SHPI121245S-331MU

Shielded High Power Inductors (SHPI Series)

Electrical Specifications and Range

Size: 121260S

Inductance (uH)	Inductance Code	Test Condition	DC Resistance (Ω)	Max Current Rating (A)	Tolerance	Part Number
1R3	1.3	1KHz, 0.25V	0.012	8	20%	SHPI121260S-1R3MU
2R1	2.1	1KHz, 0.25V	0.014	7	20%	SHPI121260S-2R1MU
2R2	2.2	1KHz, 0.25V	0.014	7	20%	SHPI121260S-2R2MU
3R1	3.1	1KHz, 0.25V	0.017	6	20%	SHPI121260S-3R1MU
3R3	3.3	1KHz, 0.25V	0.014	6.75	20%	SHPI121260S-3R3MU
4R4	4.4	1KHz, 0.25V	0.02	5	20%	SHPI121260S-4R4MU
4R7	4.7	1KHz, 0.25V	0.018	6.2	20%	SHPI121260S-4R7MU
5R8	5.8	1KHz, 0.25V	0.021	4.4	20%	SHPI121260S-5R8MU
6R8	6.8	1KHz, 0.25V	0.023	5.9	20%	SHPI121260S-6R8MU
7R5	7.5	1KHz, 0.25V	0.024	4.2	20%	SHPI121260S-7R5MU
100	10	1KHz, 0.25V	0.025	4	20%	SHPI121260S-100MU
120	12	1KHz, 0.25V	0.027	3.5	20%	SHPI121260S-120MU
150	15	1KHz, 0.25V	0.03	3.3	20%	SHPI121260S-150MU
180	18	1KHz, 0.25V	0.034	3	20%	SHPI121260S-180MU
220	22	1KHz, 0.25V	0.036	2.8	20%	SHPI121260S-220MU
270	27	1KHz, 0.25V	0.051	2.3	20%	SHPI121260S-270MU
330	33	1KHz, 0.25V	0.057	2.1	20%	SHPI121260S-330MU
390	39	1KHz, 0.25V	0.068	2	20%	SHPI121260S-390MU
470	47	1KHz, 0.25V	0.075	1.8	20%	SHPI121260S-470MU
560	56	1KHz, 0.25V	0.11	1.7	20%	SHPI121260S-560MU
680	68	1KHz, 0.25V	0.11	2.2	20%	SHPI121260S-680MU
820	82	1KHz, 0.25V	0.14	1.4	20%	SHPI121260S-820MU
101	100	1KHz, 0.25V	0.16	1.3	20%	SHPI121260S-101MU
121	120	1KHz, 0.25V	0.17	1.1	20%	SHPI121260S-121MU
151	150	1KHz, 0.25V	0.23	1	20%	SHPI121260S-151MU
181	180	1KHz, 0.25V	0.29	0.9	20%	SHPI121260S-181MU
221	220	1KHz, 0.25V	0.4	0.8	20%	SHPI121260S-221MU
271	270	1KHz, 0.25V	0.46	0.75	20%	SHPI121260S-271MU
331	330	1KHz, 0.25V	0.51	0.68	20%	SHPI121260S-331MU
391	390	1KHz, 0.25V	0.69	0.65	20%	SHPI121260S-391MU
471	470	1KHz, 0.25V	0.77	0.58	20%	SHPI121260S-471MU
561	560	1KHz, 0.25V	0.86	0.54	20%	SHPI121260S-561MU
681	680	1KHz, 0.25V	1.2	0.48	20%	SHPI121260S-681MU
821	820	1KHz, 0.25V	1.34	0.43	20%	SHPI121260S-821MU
102	1000	1KHz, 0.25V	1.53	0.4	20%	SHPI121260S-102MU

Shielded High Power Inductors (SHPI Series)

Electrical Specifications and Range

Size: 1212805

Inductance (uH)	Inductance Code	Test Condition	DC Resistance (Ω)	Max Current Rating (A)	Tolerance	Part Number
1	1R0	1KHz, 0.25V	0.007	10	20%	SHPI1212805-1R0MU
1.2	1R2	1KHz, 0.25V	0.007	9.8	20%	SHPI1212805-1R2MU
1.8	1R8	1KHz, 0.25V	0.011	8.5	20%	SHPI1212805-1R8MU
2.2	2R2	1KHz, 0.25V	0.01	8.5	20%	SHPI1212805-2R2MU
2.4	2R4	1KHz, 0.25V	0.012	8	20%	SHPI1212805-2R4MU
2.7	2R7	1KHz, 0.25V	0.012	8	20%	SHPI1212805-2R7MU
3.3	3R3	1KHz, 0.25V	0.013	7.8	20%	SHPI1212805-3R3MU
3.5	3R5	1KHz, 0.25V	0.014	7.5	20%	SHPI1212805-3R5MU
4.7	4R7	1KHz, 0.25V	0.016	6.8	20%	SHPI1212805-4R7MU
5.6	5R6	1KHz, 0.25V	0.014	6.7	20%	SHPI1212805-5R6MU
6.1	6R1	1KHz, 0.25V	0.018	6.6	20%	SHPI1212805-6R1MU
6.8	6R8	1KHz, 0.25V	0.014	6.4	20%	SHPI1212805-6R8MU
7.6	7R6	1KHz, 0.25V	0.02	5.9	20%	SHPI1212805-7R6MU
8.2	8R2	1KHz, 0.25V	0.016	6.32	20%	SHPI1212805-8R2MU
10	100	1KHz, 0.25V	0.022	5.4	20%	SHPI1212805-100MU
12	120	1KHz, 0.25V	0.024	4.9	20%	SHPI1212805-120MU
15	150	1KHz, 0.25V	0.027	4.5	20%	SHPI1212805-150MU
18	180	1KHz, 0.25V	0.039	3.9	20%	SHPI1212805-180MU
22	220	1KHz, 0.25V	0.043	3.6	20%	SHPI1212805-220MU
27	270	1KHz, 0.25V	0.046	3.4	20%	SHPI1212805-270MU
33	330	1KHz, 0.25V	0.065	3	20%	SHPI1212805-330MU
39	390	1KHz, 0.25V	0.073	2.75	20%	SHPI1212805-390MU
47	470	1KHz, 0.25V	0.1	2.5	20%	SHPI1212805-470MU
56	560	1KHz, 0.25V	0.11	2.35	20%	SHPI1212805-560MU
68	680	1KHz, 0.25V	0.14	2.1	20%	SHPI1212805-680MU
82	820	1KHz, 0.25V	0.16	1.95	20%	SHPI1212805-820MU
100	101	1KHz, 0.25V	0.22	1.7	20%	SHPI1212805-101MU
120	121	1KHz, 0.25V	0.25	1.6	20%	SHPI1212805-121MU
150	151	1KHz, 0.25V	0.28	1.42	20%	SHPI1212805-151MU
180	181	1KHz, 0.25V	0.35	1.3	20%	SHPI1212805-181MU
220	221	1KHz, 0.25V	0.39	1.16	20%	SHPI1212805-221MU
270	271	1KHz, 0.25V	0.56	1.06	20%	SHPI1212805-271MU
330	331	1KHz, 0.25V	0.64	0.95	20%	SHPI1212805-331MU
390	391	1KHz, 0.25V	0.7	0.88	20%	SHPI1212805-391MU
470	471	1KHz, 0.25V	0.98	0.79	20%	SHPI1212805-471MU
560	561	1KHz, 0.25V	1.07	0.73	20%	SHPI1212805-561MU
680	681	1KHz, 0.25V	1.46	0.67	20%	SHPI1212805-681MU
820	821	1KHz, 0.25V	1.64	0.6	20%	SHPI1212805-821MU
1000	102	1KHz, 0.25V	1.82	0.55	20%	SHPI1212805-102MU

Shielded High Power Inductors (SHPI Series)

Electrical Specifications and Range

Size: 121280H

Inductance (uH)	Inductance Code	Test Condition	DC Resistance (Ω)	Max Current Rating (A)	Tolerance	Part Number
2.2	2R2	1KHz, 0.25V	0.007	25.5	20%	SHPI121280H-2R2MU
4.7	4R7	1KHz, 0.25V	0.016	15.9	20%	SHPI121280H-4R7MU
5.6	5R6	1KHz, 0.25V	0.02	14	20%	SHPI121280H-5R6MU
6.8	6R8	1KHz, 0.25V	0.021	13.3	20%	SHPI121280H-6R8MU
8.2	8R2	1KHz, 0.25V	0.023	12.2	20%	SHPI121280H-8R2MU
10	100	1KHz, 0.25V	0.024	11.2	20%	SHPI121280H-100MU
15	150	1KHz, 0.25V	0.031	9	20%	SHPI121280H-150MU
18	180	1KHz, 0.25V	0.035	5.1	20%	SHPI121280H-180MU
22	220	1KHz, 0.25V	0.04	7.57	20%	SHPI121280H-220MU
33	330	1KHz, 0.25V	0.07	6.22	20%	SHPI121280H-330MU
39	390	1KHz, 0.25V	0.075	4.5	20%	SHPI121280H-390MU
47	470	1KHz, 0.25V	0.08	5.28	20%	SHPI121280H-470MU
56	560	1KHz, 0.25V	0.13	4.5	20%	SHPI121280H-560MU
68	680	1KHz, 0.25V	0.105	4.26	20%	SHPI121280H-680MU
82	820	1KHz, 0.25V	0.143	3.8	20%	SHPI121280H-820MU
100	101	1KHz, 0.25V	0.163	3.52	20%	SHPI121280H-101MU
120	121	1KHz, 0.25V	0.17	1.9	20%	SHPI121280H-121MU
150	151	1KHz, 0.25V	0.247	3.01	20%	SHPI121280H-151MU
220	221	1KHz, 0.25V	0.376	2.36	20%	SHPI121280H-221MU
330	331	1KHz, 0.25V	0.574	2	20%	SHPI121280H-331MU
390	391	1KHz, 0.25V	0.65	1.5	20%	SHPI121280H-391MU
470	471	1KHz, 0.25V	0.861	1.64	20%	SHPI121280H-471MU
680	681	1KHz, 0.25V	1.08	1.38	20%	SHPI121280H-681MU
820	821	1KHz, 0.25V	1.47	1.26	20%	SHPI121280H-821MU
1000	102	1KHz, 0.25V	1.66	1.14	20%	SHPI121280H-102MU

Shielded High Power Inductors (SHPI Series)

Electrical Specifications and Range

Size: 121210S

Inductance (uH)	Inductance Code	Test Condition	DC Resistance (Ω)	Max Current Rating (A)	Tolerance	Part Number
1	1R0	1KHz, 0.25V	0.007	17	20%	SHPI121210S-1R0MU
1.5	1R5	1KHz, 0.25V	0.005	16	20%	SHPI121210S-1R5MU
2.4	2R4	1KHz, 0.25V	0.006	15	20%	SHPI121210S-2R4MU
3.3	3R3	1KHz, 0.25V	0.009	14	20%	SHPI121210S-3R3MU
3.5	3R5	1KHz, 0.25V	0.009	14	20%	SHPI121210S-3R5MU
6.8	6R8	1KHz, 0.25V	0.013	10	20%	SHPI121210S-6R8MU
8.2	8R2	1KHz, 0.25V	0.015	8.2	20%	SHPI121210S-8R2MU
10	100	1KHz, 0.25V	0.018	7.5	20%	SHPI121210S-100MU
12	120	1KHz, 0.25V	0.019	7	20%	SHPI121210S-120MU
15	150	1KHz, 0.25V	0.024	6	20%	SHPI121210S-150MU
18	180	1KHz, 0.25V	0.031	5.5	20%	SHPI121210S-180MU
22	220	1KHz, 0.25V	0.039	5	20%	SHPI121210S-220MU
27	270	1KHz, 0.25V	0.045	4.5	20%	SHPI121210S-270MU
33	330	1KHz, 0.25V	0.05	4	20%	SHPI121210S-330MU
39	390	1KHz, 0.25V	0.059	3.8	20%	SHPI121210S-390MU
47	470	1KHz, 0.25V	0.069	3.5	20%	SHPI121210S-470MU
56	560	1KHz, 0.25V	0.079	3.2	20%	SHPI121210S-560MU
68	680	1KHz, 0.25V	0.088	3	20%	SHPI121210S-680MU
82	820	1KHz, 0.25V	0.11	2.6	20%	SHPI121210S-820MU
100	101	1KHz, 0.25V	0.14	2.2	20%	SHPI121210S-101MU
120	121	1KHz, 0.25V	0.16	2	20%	SHPI121210S-121MU
150	151	1KHz, 0.25V	0.2	1.8	20%	SHPI121210S-151MU
180	181	1KHz, 0.25V	0.27	1.6	20%	SHPI121210S-181MU
220	221	1KHz, 0.25V	0.3	1.5	20%	SHPI121210S-221MU
270	271	1KHz, 0.25V	0.4	1.3	20%	SHPI121210S-271MU
330	331	1KHz, 0.25V	0.45	1.2	20%	SHPI121210S-331MU
390	391	1KHz, 0.25V	0.55	1.1	20%	SHPI121210S-391MU
470	471	1KHz, 0.25V	0.6	1	20%	SHPI121210S-471MU
560	561	1KHz, 0.25V	0.7	0.9	20%	SHPI121210S-561MU
680	681	1KHz, 0.25V	0.84	0.82	20%	SHPI121210S-681MU
820	821	1KHz, 0.25V	1.06	0.8	20%	SHPI121210S-821MU
1000	102	1KHz, 0.25V	1.27	0.76	20%	SHPI121210S-102MU

Characteristics

For all sizes

- Rated DC current or max rated current is the current when the inductance value becomes 30% lower than its initial value or when the temperature of the coil increases by $\Delta 40^{\circ}\text{C}$, whichever is smaller
- Operating Temperature is -40 to 125°C

Shielded High Power Inductors (SHPI Series)

Environmental and Test Criteria Specifications

Storage Recommendations

Item	Specifications
Recommended Shelf Storage conditions	Temperature range: 25±3°C Humidity: <80% relative humidity. it is recommended that product should be used within six months from the time of delivery.
Recommended storage temperature range	Temperature range: -40°C to +85°C .

Environmental Test Criteria

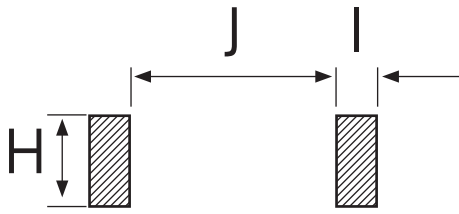
Test Items	Specifications	Test Conditions / Test Methods
High Temperature Storage test	No case deformation or change in appearance and D L/L<10%	Temperature 85±2°C , Time: 48±2 hours, Tested after 1hour at room temperature.
Low Temperature Storage test		Temperature -25±2°C , Time: 48±2 hours, Tested after 1hour at room temperature.
Humidity test		Temperature 40±2°C , 90~95% relative humidity, Time: 96±2 hours, Tested after 1hour at room temperature.
Thermal shock test		First at -25°C for 30minutes, then 25°C for 10 minutes and last at 85°C for 30 minutes, as 1 cycle. Go through 5 cycles. Tested after 1 hour at room temperature.

Mechanical Test Criteria

Test Items	Specifications	Test Conditions / Test Methods
Solder ability test	Terminal area must have 90% minimum solder coverage.	Dip pads in flux then dip in solder pot (SnCuNi) at 245±5 for 3 seconds.
Resistance to Soldering Heat	No case deformation or change in appearance.	Flux should cover the whole of the sample before heating, then be preheated for about 2 minutes over temperature of 130~150°C. Immersing to 260±5C for 10 seconds.
Vibration test		Apply frequency 10~55Hz. 1.5mm amplitude in each of perpendicular direction for 2 hours.

Shielded High Power Inductors (SHPI Series)

Reccomended Pad Layout



Size	H	I	J
626630	1.9	1.4	4.6
626650	1.9	1.4	4.6
737334	2.2	1.6	4.8
737345	2.2	1.6	4.8
121245	5.4	2.9	7.0
121260	5.4	2.9	7.0
121280	5.4	2.9	7.0
121280H	5.4	2.9	7.0
121210	5.4	2.9	7.0

Unit: mm

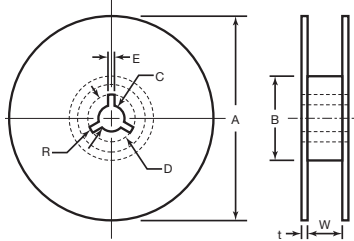
Tape and Reel Specifications

Reel

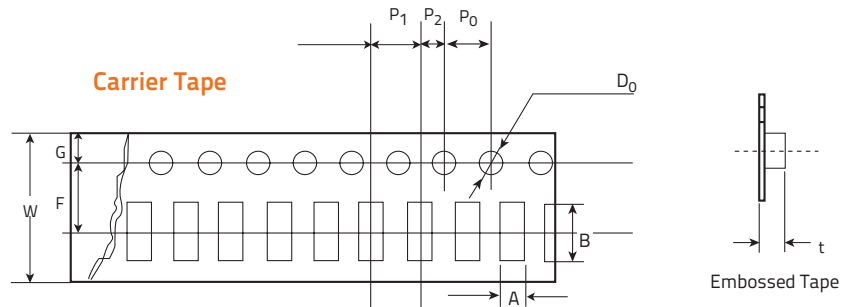
Unit: mm

Tape Width	16mm	24mm
A	330	
B	100 ± 1	
C	13.5 ± 0.5	
D	23.0 ± 1.0	
E	2.5 ± 0.5	
W	24.5 ± 1.0	
t	2.0 ± 0.5	
R	1.0	

Reel



Carrier Tape



Embossed Tape

Unit: mm

Size	626630	626650	737334	737345	121245	121260	121280	121280H	121210
Tape	Embossed Tape	Embossed Tape	Embossed Tape	Embossed Tape	Embossed Tape	Embossed Tape	Embossed Tape	Embossed Tape	Embossed Tape
A	6.55 ± 0.1	6.55 ± 0.1	7.60 ± 0.1	7.60 ± 0.1	12.60 ± 0.1	12.60 ± 0.1	12.60 ± 0.1	12.5 ± 0.10	12.6 ± 0.10
B	7.00 ± 0.1	7.00 ± 0.1	7.60 ± 0.1	7.60 ± 0.1	12.60 ± 0.1	12.60 ± 0.1	12.60 ± 0.1	12.5 ± 0.10	12.6 ± 0.10
W	16.00 ± 0.3	16.00 ± 0.3	16.00 ± 0.3	16.00 ± 0.3	24.00 ± 0.3	24.00 ± 0.3	24.00 ± 0.3	24.0 ± 0.30	24.0 ± 0.30
F	7.50 ± 0.1	7.50 ± 0.1	7.50 ± 0.1	7.50 ± 0.1	11.50 ± 0.1	11.50 ± 0.1	11.50 ± 0.1	11.5 ± 0.10	11.5 ± 0.10
G	1.75 ± 0.10	1.75 ± 0.10	1.75 ± 0.10	1.75 ± 0.10	1.75 ± 0.10	1.75 ± 0.10	1.75 ± 0.10	1.75 ± 0.10	1.75 ± 0.10
P ₁	12.0 ± 0.10	12.0 ± 0.10	12.0 ± 0.10	12.0 ± 0.10	16.0 ± 0.10	16.0 ± 0.10	16.0 ± 0.10	16.0 ± 0.10	16.0 ± 0.10
P ₂	2.0 ± 0.10	2.0 ± 0.10	2.0 ± 0.10	2.0 ± 0.10	2.0 ± 0.05	2.0 ± 0.10	2.0 ± 0.10	2.0 ± 0.10	2.0 ± 0.10
P ₀	4.0 ± 0.10	4.0 ± 0.10	4.0 ± 0.10	4.0 ± 0.10	4.0 ± 0.10	4.0 ± 0.10	4.0 ± 0.10	4.0 ± 0.10	4.0 ± 0.10
D ₀	1.5 ± 0.10	1.5 ± 0.10	1.5 ± 0.10	1.5 ± 0.10	1.5 ± 0.10	1.5 ± 0.10	1.5 ± 0.10	1.5 ± 0.10	1.5 ± 0.10
t	3.40 ± 0.1	5.20 ± 0.1	3.90 ± 0.1	4.75 ± 0.1	5.20 ± 0.1	6.20 ± 0.1	8.20 ± 0.1	0.5 ± 0.05	0.5 ± 0.05
Qty/ Reel	1,500	1,000	1,000	1000	500	400	400	300	500