

MB36-EVL

SURFACE MOUNT SCHOTTKY BARRIER RECTIFIER

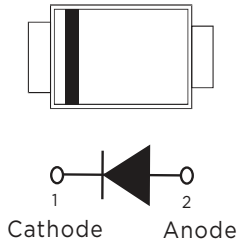
PART NUMBER	PACKAGE	VOLTAGE	CURRENT	CIRCUIT CONFIGURATION
MB36-□VL E= 7" Embossed T&R (800) U = 13" Embossed T&R (3,000)	SMC / DO-214AB	60V	3A	SINGLE

FEATURES:

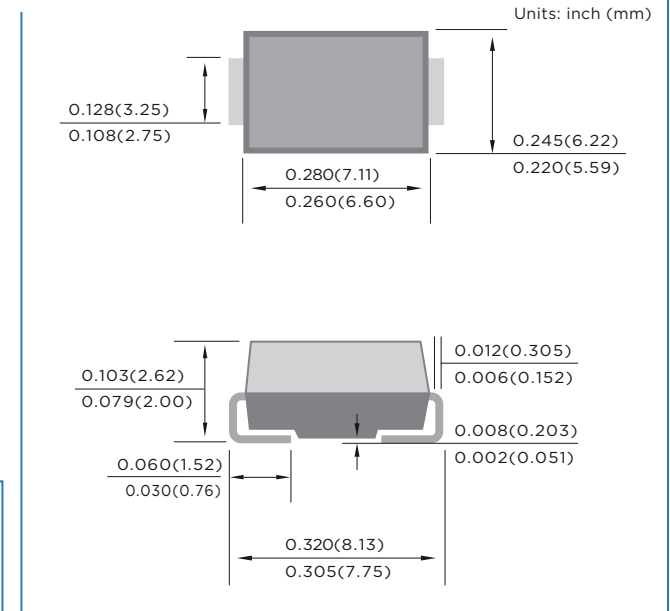
- Plastic package has Underwriters Laboratory Flammability Classification 94V-O
- For surface mounted applications in order to optimize board space
- Low power loss, high efficiency
- High surge capacity

MECHANICAL DATA:

- Case: JEDEC DO-214AB molded plastic
- Terminals: Solder plated, solderable per MIL-STD-750, Method 2026
- Polarity: Color band denotes cathode end
- Standard packaging: 16mm tape (EIA-481)
- Weight: 0.0082 ounces, 0.2325 grams



SMC / DO-214AB



MAXIMUM RATINGS & ELECTRICAL CHARACTERISTICS

RATINGS AT 25°C AMBIENT TEMPERATURE UNLESS OTHERWISE SPECIFIED.

Resistive or inductive load.

PARAMETER	SYMBOL	VALUE	UNITS
Maximum Recurrent Peak Reverse Voltage	V_{RRM}	60	V
Maximum RMS Voltage	V_{RMS}	42	V
Maximum DC Blocking Voltage	V_{DC}	60	V
Maximum Average Forward Current (See Figure 1)	$I_{F(AV)}$	3	A
Peak Forward Surge Current : 8.3ms single half sine-wave superimposed on rated load	I_{FSM}	100	A
Maximum Forward Voltage at 3A (Note 1)	V_F	0.74	V
Maximum DC Reverse Current at Rated DC Blocking Voltage	I_R	0.05 2.0	mA
Typical Junction Capacitance ($V_R=4V$, MHz)	C_J	140	pF
	Typical Junction Resistance	$R_{\theta JL}$ $R_{\theta JA}$	15 110
Operating Junction and Storage Temperature Range	T_J, T_{STG}	-65 to +175	°C

NOTES:

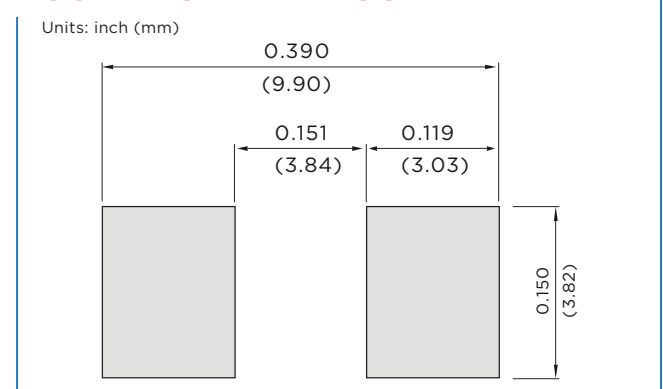
1. Pulse Test with PW =300µsec, 1% Duty Cycle.
2. Mounted on a FR4 PCB, single-sided copper, with 100cm² copper pad area.
3. Mounted on a FR4 PCB, single-sided copper, mini pad.

ENVIRONMENTAL INFORMATION

RoHS Status	10 of 10 Compliant
REACH Status	Compliant
Halogen Status	Halogen Free
Conflict Mineral Status	Conflict Mineral Free
Moisture Sensitivity Level (MSL)	1



MOUNTING PAD LAYOUT



GRAPHS

