

PART NUMBER

ESD4136C2A-EVL
E = 7" Embossed T&R (3,000)

PACKAGE

SOT-23

VOLTAGE

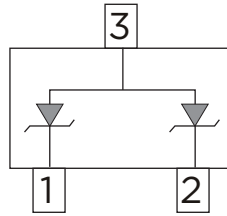
36V

FEATURES:

- IEC61000-4-2(ESD): ±30kV Air, ±30kV Contact
- IEC61000-4-4(EFT): 40A (5/50 ns)
- IEC61000-4-5 (Lightning): 9A (8/20uS)
- Low clamping voltage

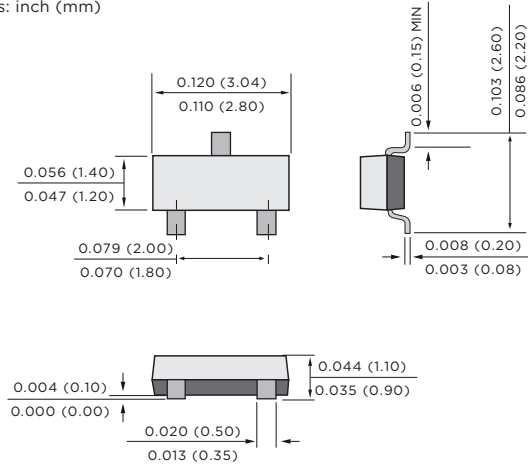
MECHANICAL DATA:

- Case: Molded plastic, SOT-23
- Terminals: Solder plated, solderable per MIL-STD-750, Method 2026
- Approx. Weight: 0.0003 ounces, 0.0084 grams
- Marking: 7EC



SOT-23

Units: inch (mm)



MAXIMUM RATINGS & THERMAL CHARACTERISTICS

T_A = 25 °C unless otherwise noted.

PARAMETER	SYMBOL	VALUE	UNITS
ESD IEC61000-4-2(Air) ESD IEC61000-4-2(Contact)	V _{ESD}	±30 ±30	kV
Typical Thermal Resistance	R _{θJA} ⁽¹⁾	350	°C/W
Operating Junction Temperature Range	T _J	-55 to +150	°C
Storage Temperature Range	T _{STG}	-55 to +150	°C

ENVIRONMENTAL INFORMATION

RoHS Status	10 of 10 Compliant
REACH Status	Compliant
Halogen Status	Halogen Free
Conflict Mineral Status	Conflict Mineral Free
Moisture Sensitivity Level (MSL)	1



ELECTRICAL CHARACTERISTICS

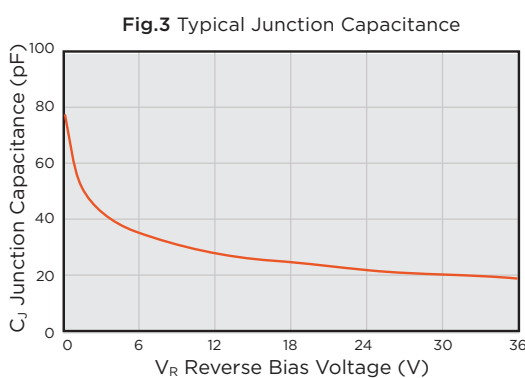
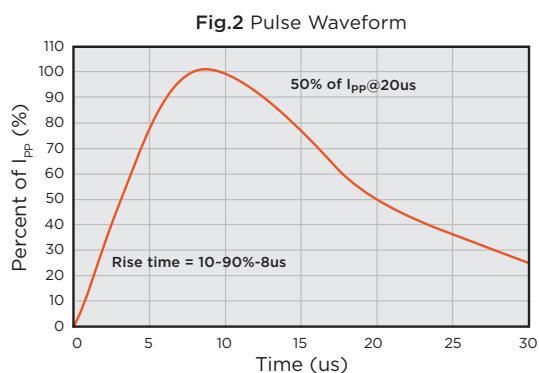
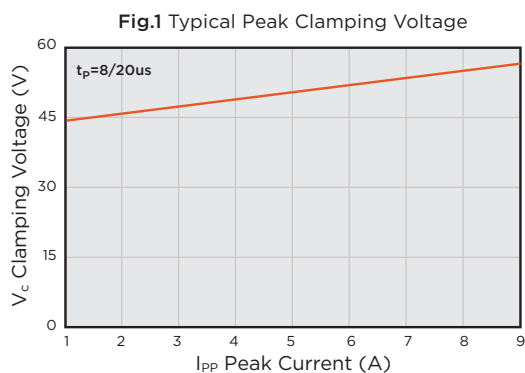
T_A = 25 °C unless otherwise noted.

PARAMETER	SYMBOL	TEST CONDITIONS	MIN	TYP	MAX	UNITS
Reverse Stand-Off Voltage	V _{RWM} ⁽²⁾	-	-	-	36	V
Reverse Breakdown Voltage	V _{BR}	I _{BR} = 1mA, any I/O pins to GND	40	-	-	V
Reverse Leakage Current	I _R	V _R =36V	-	-	1	μA
Clamping Voltage	V _{CL}	I _{PP} = 1A, t _p = 8/20us, any I/O pins to GND	-	-	60	V
		I _{PP} = 9A, t _p = 8/20us, any I/O pins to GND	-	-	75	
Off State Junction Capacitance	C _J	0Vdc Bias f = 1MHz, any I/O pins to GND	-	-	100	pF

NOTES:

1. Mounted on a FR4 PCB, Single-sided copper, mini pad.
2. A transient suppressor is selected according to the working peak reverse voltage(V_{RWM}), which should be equal to or greater than the DC or continuous peak operation voltage level.

ELECTRICAL CHARACTERISTIC CURVES



MOUNTING PAD LAYOUT

